

[\[AD\]](#)

?

# SCHEMATIC TERRORIST

Sony J5 ?????????? and the circuit of connection

## Sony J5 pin outs

keyboard up

12|3456789|1011|12

5 connected to 10(shortcut,link)  
7 TX  
8 RX  
12 GND

Sony Z5 ?????????? and the circuit of connection

"SONY Z5" pinout

keyboard up

```

-----
I           I
I  1 0 0 0 2 0 0 0 3  I
I  4 0 0 0 5 0 0 0 6  I
I           I
-----

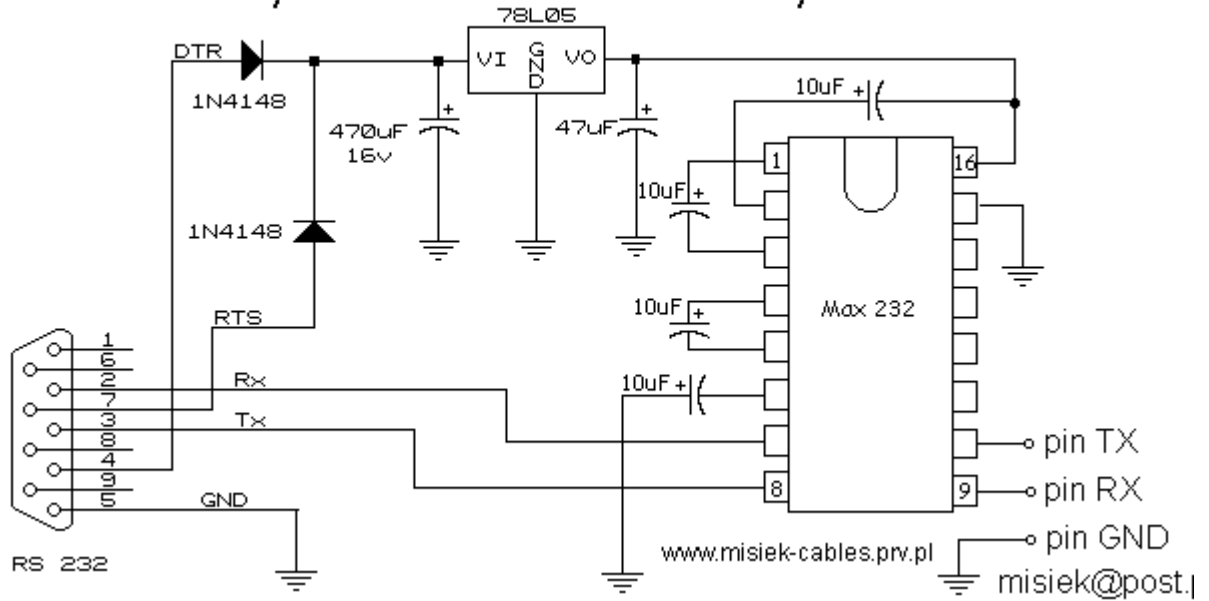
```

1 & 4 MUST BE CONNECTED TO GROUND  
3 & 6 MUST BE CONNECTED TO +  
2 IS TX  
5 IS RX

Sony C5, CD5 ?????????? and the circuit of connection

26-Dec-19!

# Sony CMD-C5 Interface by Misiek



??????? ??????????

Schematic

[\[AD\]](#)

**fambler's**  
**Top100**  
**counter**

**KMiNDEX**

**ping**



**UA TOP 100**

**BELRUS.COM**  
251952  
+632 | +905